

Product Information

Hygienic designed

Conductive Point Level Switch MLR430-1



- 1 limit level with 3 switch outputs, free configurable
- Process connection GHMadapt M12x1.5
- Round case, SS-type Ø 59 mm
- Flexible mounting: compact version
- No moving parts in the medium
- Sensitivity programmable
- Parameter programmable via GHMware and internal Mini-USB Interface
- Isolation between sensor system, case / supply, output
- Wide range LED indicator

Technical data

Compact version
 Supply voltage : 18..30 V DC
 Power consumption : < 3 VA
 CE-conformity : EN 61326:05/2007

Ambient conditions
 Ambient temperature : -20..+70 °C
 Climatic class : EN 60068-2-38
 Vibration class : EN 60068-2-6, GL test2

Certifications
 EHEDG certificate no. : 28/2011
 Input : 1
 Response time : 0.05..10 s, programmable

Output
 : NO / NC programmable
 3 x Electronic : transistor PNP, max. 30 V DC / 100 mA

Electrical connection : M12x1 plug or cable gland M16x1.5
 Polyamide (PA) or SS-type 1.4305

Isolation : sensor system, case / supply, output
 LED indicator : red/green programmable

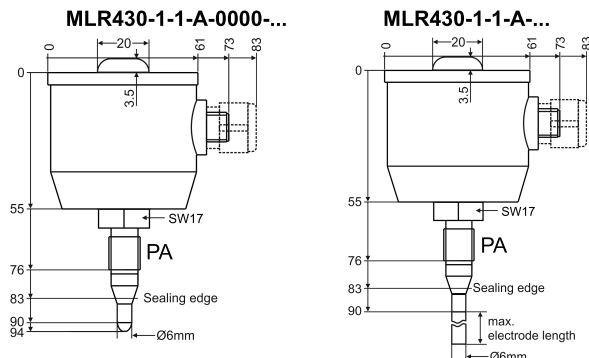
Case
 : round case, SS-type Ø 59 mm
 Material : 1.4305
 LED-cap : Acrylic glass (PMMA)
 Protection class : IP67 / IP69K

Electrode
 : 1
 Electrode length : 4..200 mm
 Process temperature : -20..+100 °C, 140 °C < 30 min
 CIP-/SIP-capable

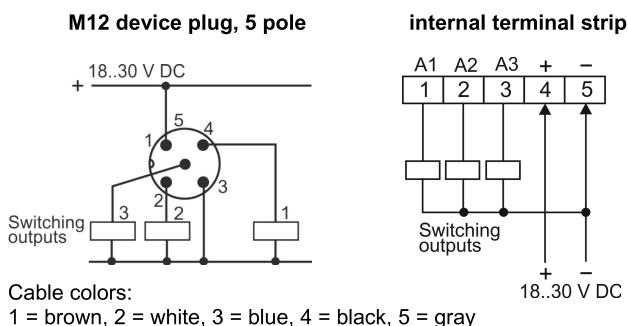
Process pressure : -1..+10 bar
 Min. media conductance : > 2µS
 Process material : 1.4404, PEEK, PFA-coated, FDA conform, food safe acc. to EHEDG

Process connection : compatible to standard hygienic threads
 M12x1.5
 Stud torque : 5..10 Nm

Dimensions



Connection diagram



Ordering code

MLR430 - - - - - - -

1. Process connection (PA)	
1	M12x1.5
2. Number of electrodes	
1	1 electrode
3. Electrode type (rod or cable)	
A	rod
B	cable (on request)
4. Electrode length [mm]	
0000	stub rod
0200	200
XXXX	customized length (on request)
5. Electrode surface	
0	uncoated (standard)
1	PFA, black coated
6. Electrical connection	
0	M12 plug
1	cable gland PA
2	cable gland 1.4305
7. Options	
00	without option
Accessory	
ACI211	USB-Connection cable